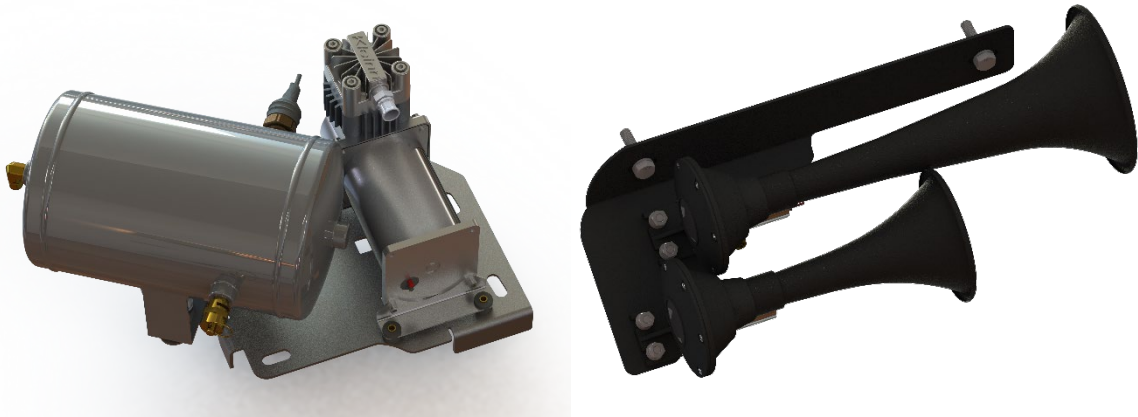


This Install Guide Replaces the GMTRK-1 Installation Manual



GMTRK-3 INSTALL GUIDE

REV: A (08/24/2022)



© Kleinn Air Horns 2021, All Rights Reserved

PO Box 91278 Tucson, AZ 85752

Phone: (520) 579-1531

Web: <https://www.kleinn.com>



Table of Contents

- 1 Safety First 4
- 2 Application Chart 5
 - 2.1 Bolt-On Vehicle List..... 5
 - 2.2 Excluded Vehicles..... 5
 - 2.3 Aftermarket Product Compatibility 5
- 3 Installation Overview 6
 - 3.1 Kit Layout & System Location(s) 6
 - 3.2 Approximate Installation Time..... 7
- 4 List of Tools & Supplies 8
 - 4.1 Standard Tool List (Required) 8
 - 4.2 Special Tool List (Recommended)..... 8
 - 4.3 Shop Consumables List (Recommended)..... 8
- 5 Parts List..... 9
 - 5.1 Primary Kit Components 9
 - 5.2 Pneumatic Components..... 9
 - 5.3 Electrical Components 10
 - 5.4 Mounting Brackets..... 10
 - 5.5 Hardware 11
- 6 Bench Assembly – Air Tank & Fittings..... 13
 - 6.1 Tank Fittings – 2007-2013 Trucks 14
 - 6.2 Tank Fittings – 2014-2018 Trucks 15
 - 6.3 Tank Fittings – 2007-2014 SUV’s..... 16
 - 6.4 Tank Fittings – 2015-2020 SUV’s..... 17
- 7 Bench Assembly - Brackets 18
 - 7.1 Tank & Compressor – 2007 to 2013 Trucks & 2007 to 2014 SUV’s 19
 - 7.1.1 Tank Installation..... 19
 - 7.1.2 Compressor Installation 19
 - 7.2 Tank & Compressor – 2014 to 2018 Trucks 21
 - 7.2.1 Bracket Assembly 21
 - 7.2.2 Tank Installation..... 21



7.2.3	Compressor Installation	22
7.3	Tank & Compressor – 2015 to 2020 SUV’s	23
7.3.1	Bracket Assembly	23
7.3.2	Tank Installation	24
7.3.3	Compressor Installation	24
7.4	Air Tubing Installation	26
8	Bench Assembly – Air Horns	27
8.1	Air Horns – 2015 to 2020 SUV’s	28
8.2	Air Horns – All Other Vehicles	29
9	On-Vehicle Installation	30
9.1	Tank/Compressor Installation	30
9.2	Horn Bracket Installation	32
9.3	Final Connections	34
9.3.1	General Connections & Plumbing	34
9.3.2	System Pre-Test	34
10	Testing	35
10.1	Test Air Compressor	35
10.2	Test Train Horns	35
11	General Operation	36
11.1	Compressor Operation	36
11.2	Horn Operation	36
12	Routine Maintenance	37
13	Warranty Information	38

END OF TABLE OF CONTENTS



1 Safety First

Read manual thoroughly before starting installation of this kit. Verify that you have all parts listed, and that you clearly understand the installation procedure. Contact Kleinn technical support with any questions.

Installation of this kit requires **moderate mechanical aptitude**; seek professional help if you're not competent using hand tools in tight uncomfortable spaces and around possibly rusted and sharp vehicle parts.

Before starting, obtain proper tools required to perform installation correctly, adequate lighting, eye protection, hearing protection, (for operating train horns) and hand protection to guard against sharp edges and metal burrs which may be present on kit and/or vehicle parts.

END OF SECTION



2 Application Chart

2.1 Bolt-On Vehicle List

GMTRK-3 is a 100% direct bolt-on aftermarket product for the vehicles listed below. Every effort has been made to verify fitment on these vehicles in their factory condition.

MODEL YEAR	MODEL	DRIVE	ENGINE	BODY	TRIM
2007 -2018	Sierra 1500	ALL	ALL	ALL	ALL
2007 - 2018	Silverado 1500	ALL	ALL	ALL	ALL
2007 - 2020	Suburban	ALL	ALL	ALL	ALL
2007 - 2020	Tahoe	ALL	ALL	ALL	ALL
2007 - 2013	Avalanche	ALL	ALL	ALL	ALL
2007 - 2020	Yukon	ALL	ALL	ALL	ALL
2007 - 2020	Yukon XL	ALL	ALL	ALL	ALL

NOTE: Vehicle may require drilling holes for electrical ground points, wiring, switches, and on-board air based on preference.

2.2 Excluded Vehicles

The following vehicles have been found to be **incompatible** with the designed kit:

Any 2007 Classic Model is incompatible with this kit.

2.3 Aftermarket Product Compatibility

NOTE: Before installing this product on a vehicle with any aftermarket parts attached in regions shown in this manual, thoroughly review this manual to verify necessary mounting points and overall space exists. At the discretion of end-user/installer, included Brackets/components may require modifications to attach to vehicles with aftermarket parts. **THIS VOIDS THE KLEINN WARRANTY.**

NOTE: Review this manual in full before unpacking items to verify correct space and mounting locations exist with your aftermarket product(s). *To install this kit alongside your other aftermarket product(s), modification to the included parts, your vehicle, or your aftermarket product(s) may be required.*

END OF SECTION

3 Installation Overview

3.1 Kit Layout & System Location(s)

This kit consists of the following components, located on vehicle as follows:

Item No.	Component	Vehicle Location	Install Time (APPROXIMATE)
1	Compressor	Auxiliary Battery Tray	1 Hour
2	1 Gal. Air Tank		
3	Model 220 Dual Air Horns	Behind front bumper, in between tow hooks	1 Hour

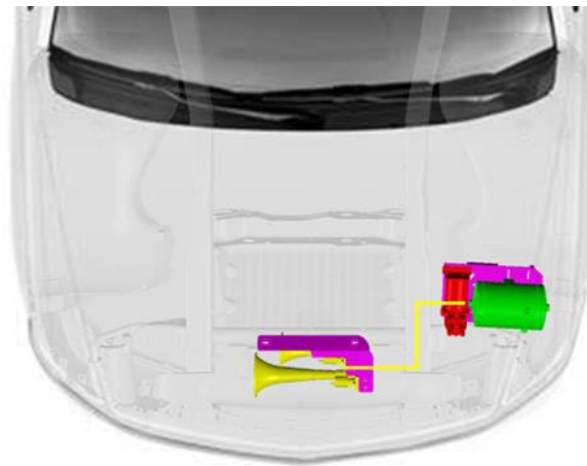


Figure 1- Component Locations



Figure 2- Kit Installed, Vehicle Configuration 1



Figure 3- Kit Installed, Vehicle Configuration 2



Figure 4- Horns Installed

3.2 Approximate Installation Time

This kit is a multi-faceted product consisting of mechanical, electrical, and pneumatic components.

For a typical home mechanic, auto enthusiast, or technician installing this kit for first time; a professional installation job with setup and testing of final product, is estimated to take:

- **2-4 Hours**

END OF SECTION



4 List of Tools & Supplies

4.1 Standard Tool List (Required)

1. Basic mechanic socket sets with extensions
 - Inch size sockets
 - Metric size sockets
2. Basic mechanic's combination wrenches (box/open-end)
 - Inch size wrenches
 - Metric size wrenches
3. Basic mechanic's screwdriver set (Philips, Flat Head)
4. Wire cutters / strippers
5. Wire crimpers
6. Tubing cutter
7. Torque wrench; in-lbs & ft-lbs

4.2 Special Tool List (Recommended)

1. Heat gun
2. Retrieval tools (magnetic / gripping)
3. Multimeter, 12V DC test light or equivalent
4. Trim panel tools
5. Universal joint socket adapters
6. Short handle combination wrenches

4.3 Shop Consumables List (Recommended)

1. Quality electrical tape
2. Heat shrink tubing for electrical connections
3. Removable thread locking compound
4. Sandpaper or wire brushes
5. Extra plastic zip ties > 6" long
6. Extra NPT sealant (i.e., Kleinn Air Horn Juice, Teflon tape, etc.)
7. Touch-up paint for frame/chassis/body




END OF SECTION

5 Parts List




This section should be printed to expedite the installation process. Unpackage and organize kit and verify all parts are included, as listed below. Contact Kleinn support with any questions.



5.1 Primary Kit Components

NOTE: Items in this section come in their own packages and **MAY** include additional items inside package.



Item No	Qty	Part Number	Description	Picture
1.	1	6270RC	130 PSI Air Compressor	
2.	1	6270RT	1.0 Gal. Air Tank, 5 NPT Ports	
3.	1	220	Model 220 Dual Train Horn	

5.2 Pneumatic Components


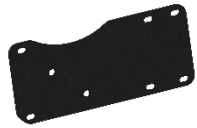
Item No	Qty	Part Number	Description	Picture
4.	1	51414NPTL	¼" M NPT to ¼" F NPT Elbow Fitting	
5.	1	52155	155 PSI Safety Valve, ¼" NPT	
6.	1	2131	Sealed Pressure Switch, ¼" NPT 100 PSI On / 130 PSI Off	100 PSI On / 130 PSI Off" data-bbox="691 718 846 771"/>
7.	1	51414L	90° Elbow Fitting, ¼" NPT to ¼" Compression	


8.	1	52835	¼" NPT Drain Valve	
9.	1	53140	Compression "T" Fitting, ¼" OD Air Tubing	
10.	12 ft	25014	Black Air Tubing, ¼" OD	
11.	1	JUICE	Kleinn Air Horn Juice – Thread Sealant	

5.3 Electrical Components




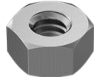


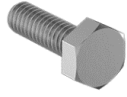



Item No	Qty	Part Number	Description	Picture
12.	1	318	"The Detonator" Pushbutton Switch	
13.	1	N/A	Complete Wire Kit	

5.4 Mounting Brackets

Item No	Qty	Part Number	Description	Picture
14.	1	N/A	Battery Tray Bracket	
15.	1	N/A	Compressor Relocation Bracket	

16.	1	N/A	Horn Bracket	
-----	---	-----	--------------	---


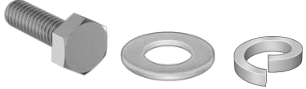

5.5 Hardware

Item No	Qty	Description	Picture
H1.	2	7/16-14, 1" Long Square Neck Carriage Bolt	
H2.	2	5/8, 1.25" OD Washer	
H3.	2	7/16 Split Lock Washer	
H4.	2	7/16-14 Hex Nut	
H5.	4	M8 Split Lock Washer	
H6.	4	M8 Flat Washer	
H7.	3	M6x1, 60mm Long Hex Head Bolt	
H8.	3	M8 x 24mm OD Fender Washer	
H9.	2	M10x1.5, 45mm Long Hex Bolt	
H10.	2	M10 Flat Washer	



GMTRK-3

Install Guide

H11.	2	¼-20, 0.5" Long Socket Head Cap Screw	
H12.	*	Horn Mounting Hardware - Assorted	
H13.	**	Compressor Mounting Hardware - Assorted	 Assorted Hardware

*Included inside Horn Box

**Included inside Compressor Box

END OF SECTION



6 Bench Assembly – Air Tank & Fittings

Complete the following steps off vehicle. Gather the air fittings for installation onto the air tank. Apply thread sealant as needed & secure fittings per the below instructions. Equivalents may be used.

Apply two drops of Item 13 (JUICE) to each male pipe thread before installation.

Hand-tighten each fitting, then further tighten $\frac{1}{4}$ to $\frac{1}{2}$ turn as necessary to match the fitting orientation shown in the applicable figure.

!!! Use the configuration that is specific to your vehicle !!!

Trucks		SUV's	
<u>2007 – 2013</u>	<u>2014 – 2018</u>	<u>2007-2014</u>	<u>2015 -2020</u>

6.1 Tank Fittings – 2007-2013 Trucks

Use the below images to match the alignment of the fittings. You may install the fittings in any orientation to accommodate your desired routing of the air tubing, compressor hose and electrical wiring.

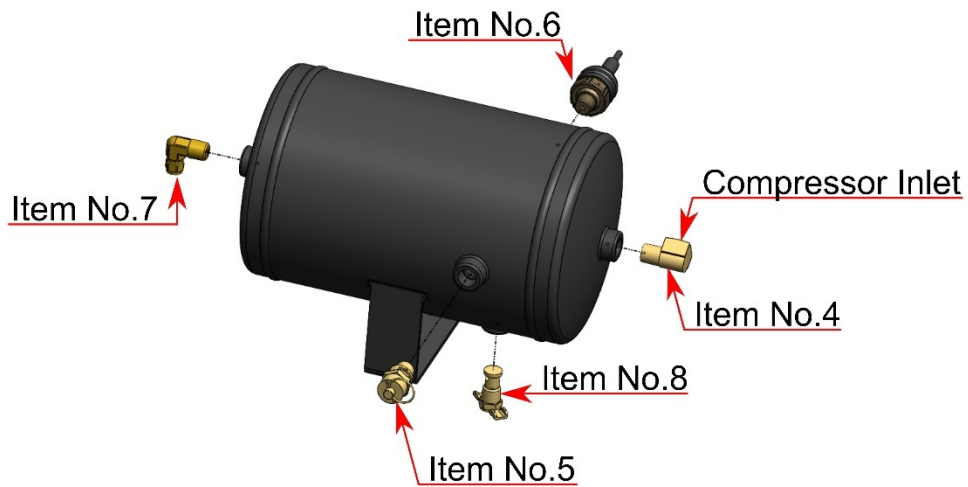


Figure 5- Tank Fitting Installation, 07-13 Trucks

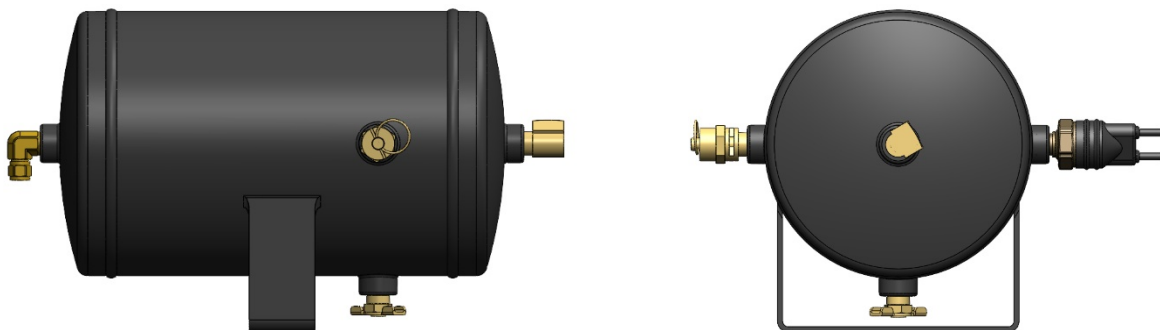


Figure 6- Tank Profile Views, 07-13 Trucks

6.2 Tank Fittings – 2014-2018 Trucks

Use the below images to match the alignment of the fittings. You may align the fittings in any orientation to accommodate your desired routing of the air tubing, compressor hose and electrical wiring.

It is recommended to install Item No.6 later to facilitate the installation of the battery tray bracket.

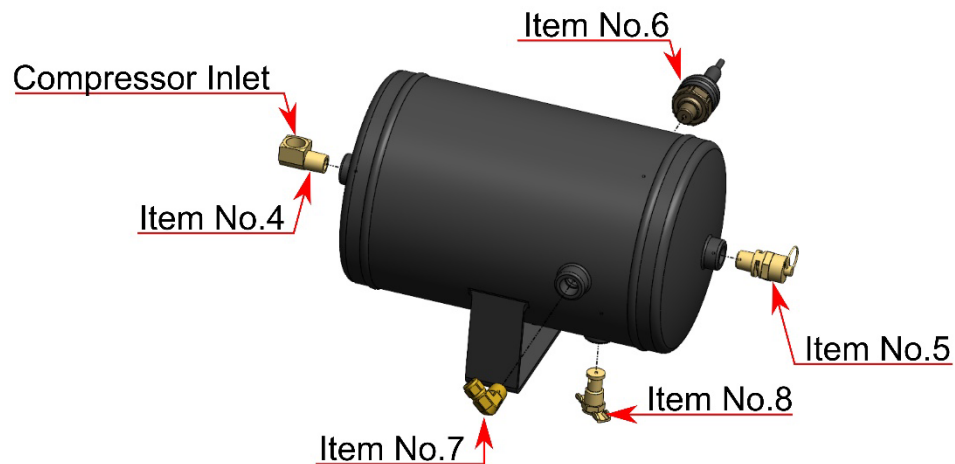


Figure 7- Tank Fitting Installation, 14-18 Trucks

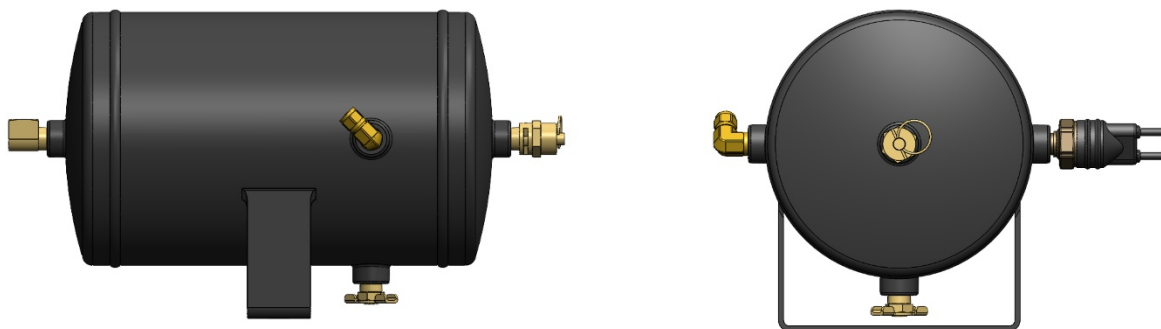


Figure 8- Tank Profile Views, 14-18 Trucks

6.3 Tank Fittings – 2007-2014 SUV's

Use the below images to match the alignment of the fittings. You may align the fittings in any orientation to accommodate your desired routing of the air tubing, compressor hose and electrical wiring.

It is recommended to install Item No.6 later to facilitate the installation of the battery tray bracket.

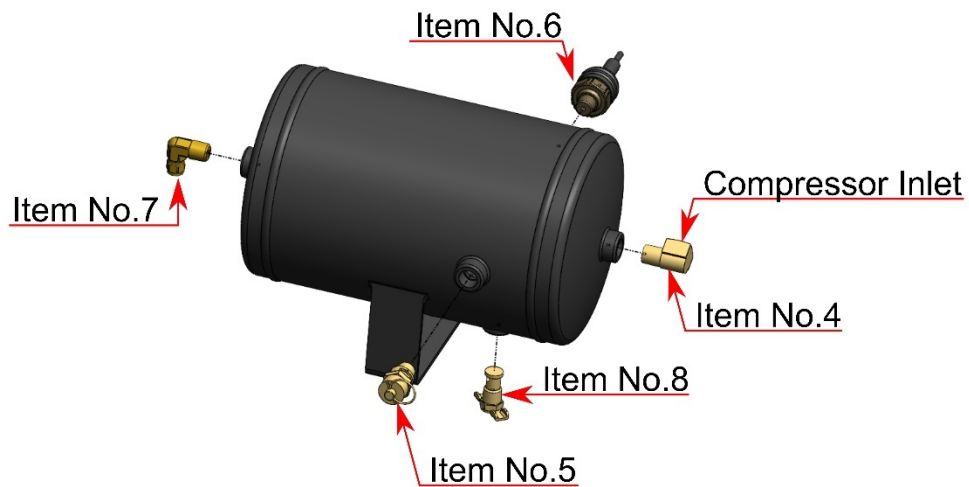


Figure 9- Tank Fitting Installation, 07-14 SUV's

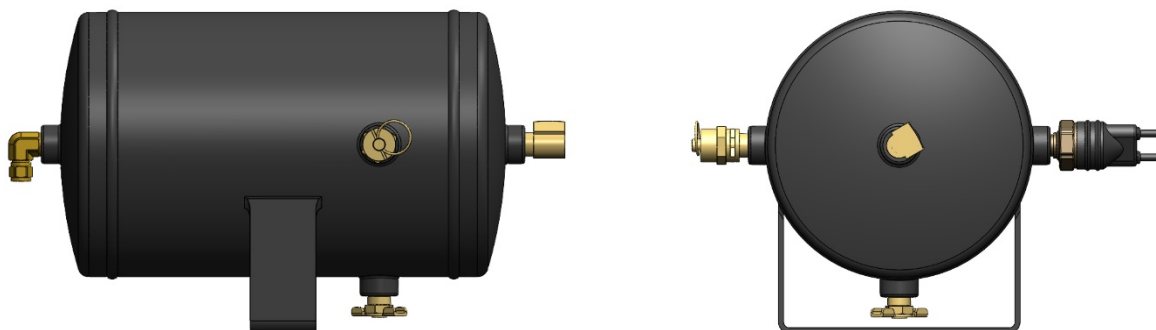


Figure 10- Tank Profile Views, 07-14 SUV's

6.4 Tank Fittings – 2015-2020 SUV's

Use the below images to match the alignment of the fittings. You may align the fittings in any orientation to accommodate your desired routing of the air tubing, compressor hose and electrical wiring.

It is recommended to install Item No.6 later to facilitate the installation of the battery tray bracket.

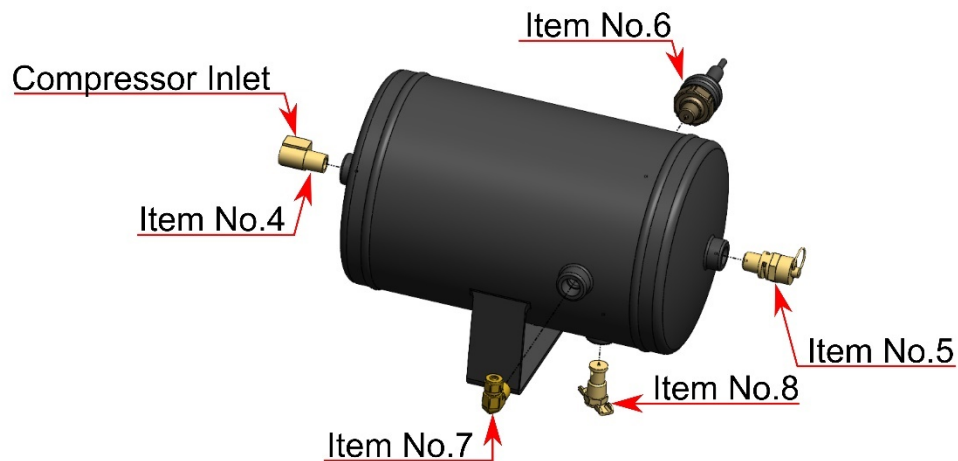


Figure 11- Tank Fitting Installation, 15-20 SUV's

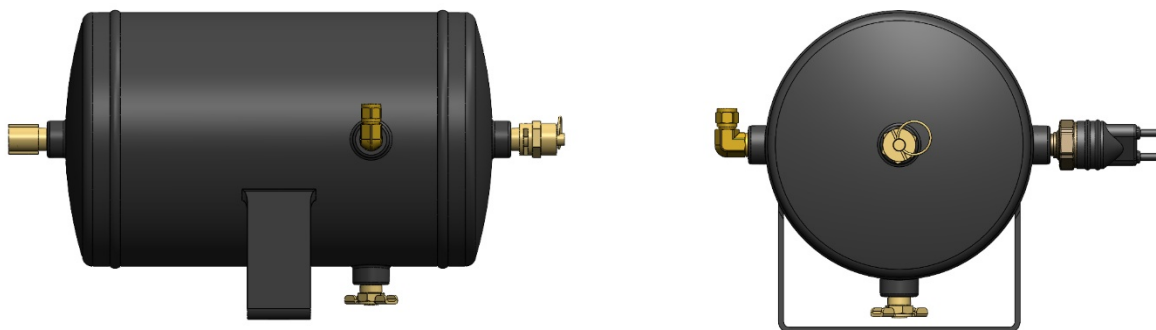


Figure 12- Tank Profile Views, 15-20 SUV's



7 Bench Assembly - Brackets

Complete the following steps off vehicle.

- Install the Tank & Compressor onto the main bracket(s) as shown in this section. Fully secure the parts to the bracket.
- Plumb the Compressor to the air tank & hookup the air tubing to the air tank.

!!! Use the configuration that is specific to your vehicle !!!

[2007 – 2013 Trucks & 2007 – 2014 SUV's](#)

[2014 – 2018 Trucks](#)

[2015 – 2020 SUV's](#)

7.1 Tank & Compressor – 2007 to 2013 Trucks & 2007 to 2014 SUV's

Use the below figures to install the tank and compressor to the battery tray bracket.

7.1.1 Tank Installation

Use hardware H1, H2, H3 & H4 to install the tank onto the battery tray bracket as shown below. Fully tighten the hardware.

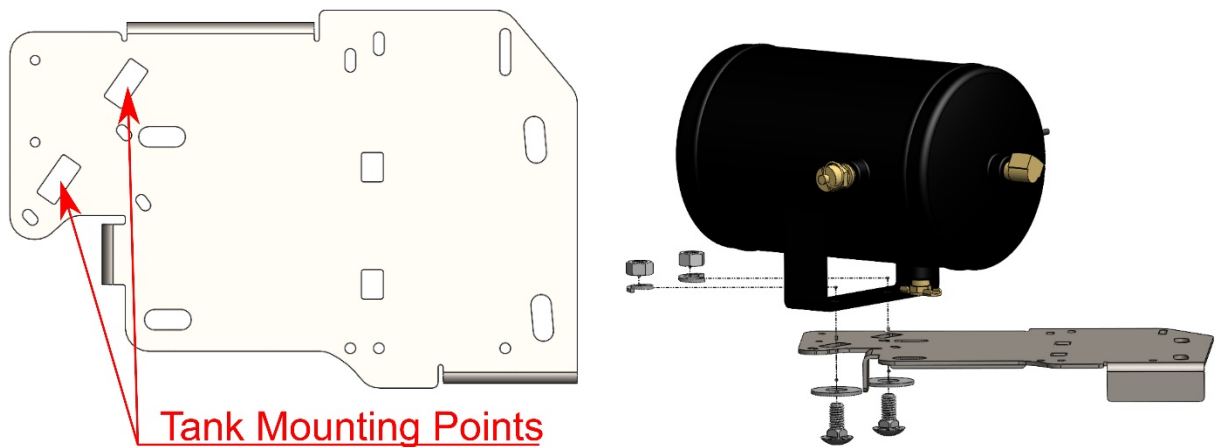


Figure 13- Tank Installation, 07 to 13 Trucks & 07 to 14 SUV's

7.1.2 Compressor Installation

1. Use the hardware included in the compressor package to install the compressor onto the battery tray bracket as shown below. Fully tighten the hardware.

Compressor Mounting Points

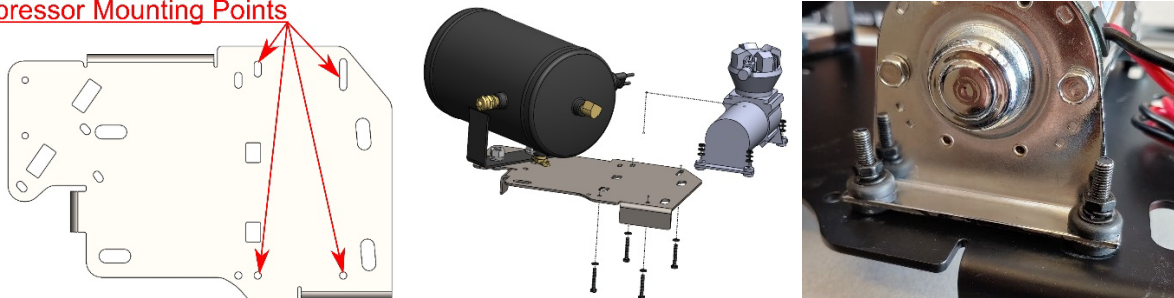


Figure 14- Compressor Installation, 07 to 13 Trucks & 07 to 14 SUV's

2. Connect the leader hose from the compressor to the female fitting on the tank as shown below. You may use any alternate routing / hookup as needed.



Figure 15- Compressor Hose Routing (Recommended)

7.2 Tank & Compressor – 2014 to 2018 Trucks

Use the below figures to install the tank and compressor to the battery tray bracket & to the compressor relocation bracket.

7.2.1 Bracket Assembly

Combine the battery tray bracket & the compressor relocation bracket as shown below using hardware H11. Fully tighten the hardware.

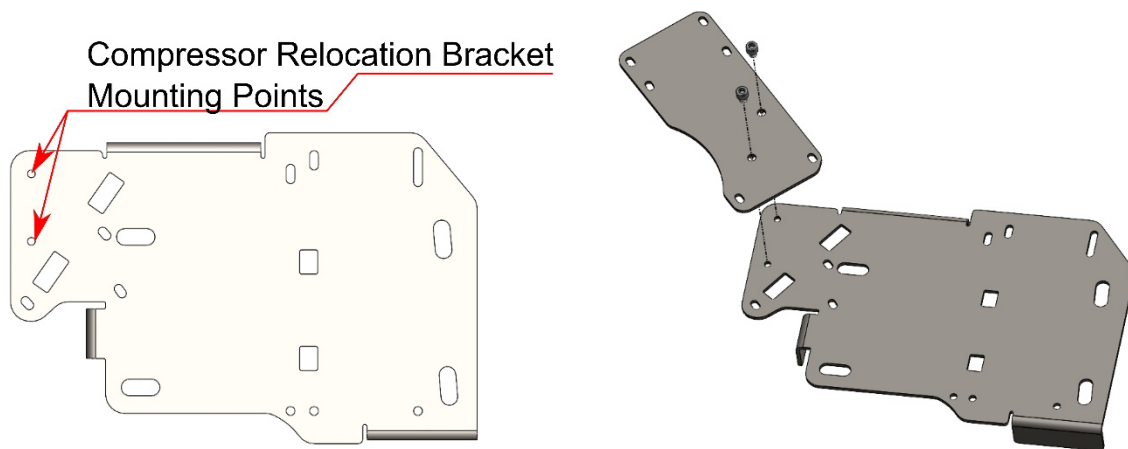


Figure 16- Bracket Assembly, 2014 to 2018 Trucks

7.2.2 Tank Installation

Use hardware H1, H2, H3 & H4 to install the tank onto the battery tray bracket as shown below. Fully tighten the hardware.

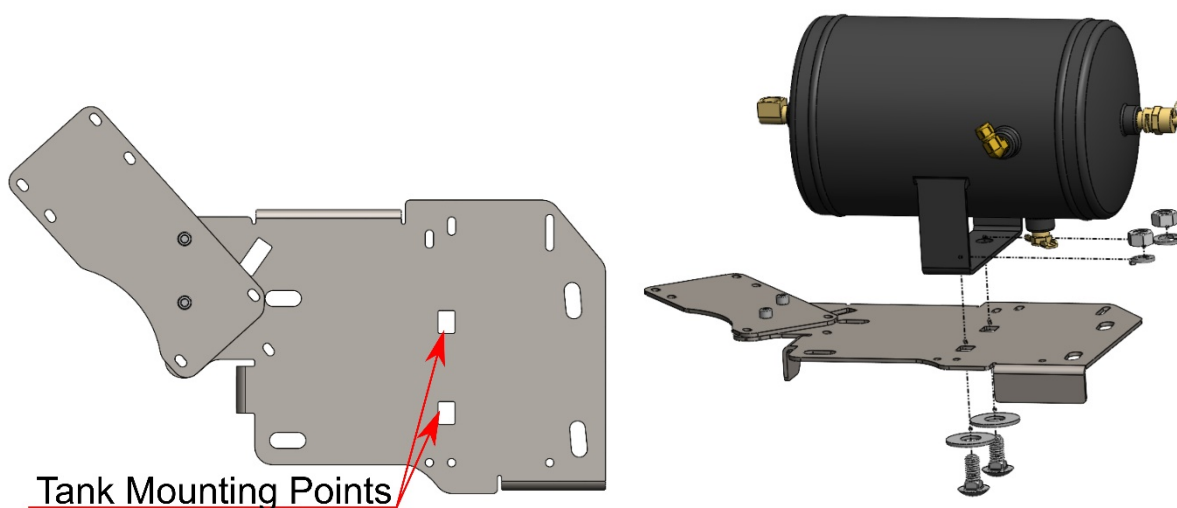


Figure 17- Tank Installation, 14 to 18 Trucks

7.2.3 Compressor Installation

1. Use the hardware included in the compressor package to install the compressor onto the battery tray bracket as shown below in **RED**. Fully tighten the hardware.
2. If fitment issues are present during installation onto the vehicle, the **BLUE** alternate mounting may be explored. If using this mounting option, one (1) set of the compressor mounting hardware will not be used.

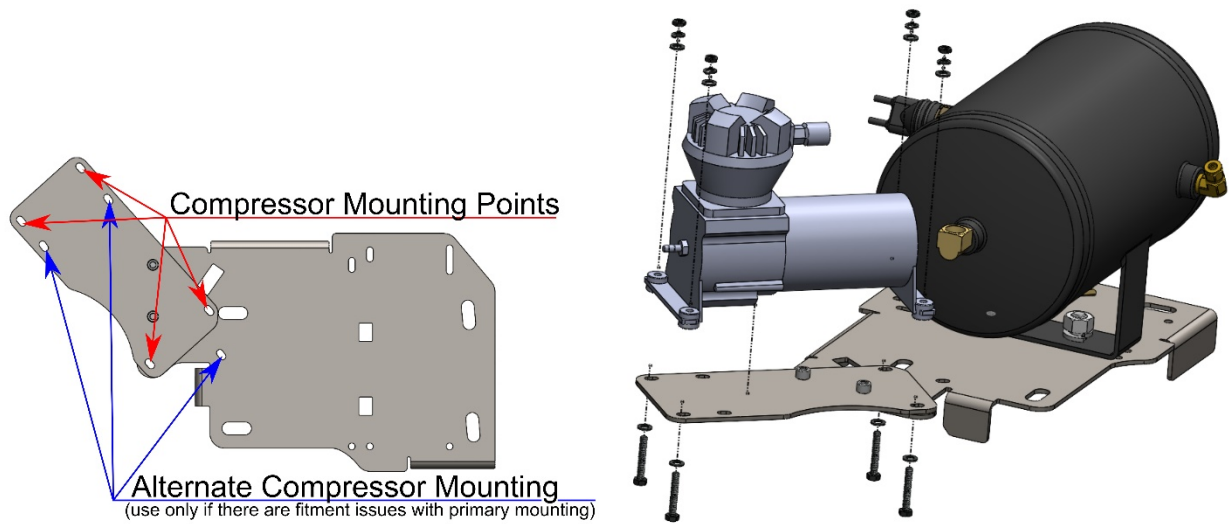


Figure 18- Compressor Installation, 14 to 18 Trucks

3. Connect the leader hose from the compressor to the female fitting on the tank as shown below. You may use alternate routing / hookup as needed.



Figure 19- Compressor Hose Routing (Recommended)

7.3 Tank & Compressor – 2015 to 2020 SUV's

Use the below figures to install the tank and compressor to the battery tray bracket & to the compressor relocation bracket.

7.3.1 Bracket Assembly

Combine the battery tray bracket & the compressor relocation bracket as shown below using hardware H11. Fully tighten the hardware.

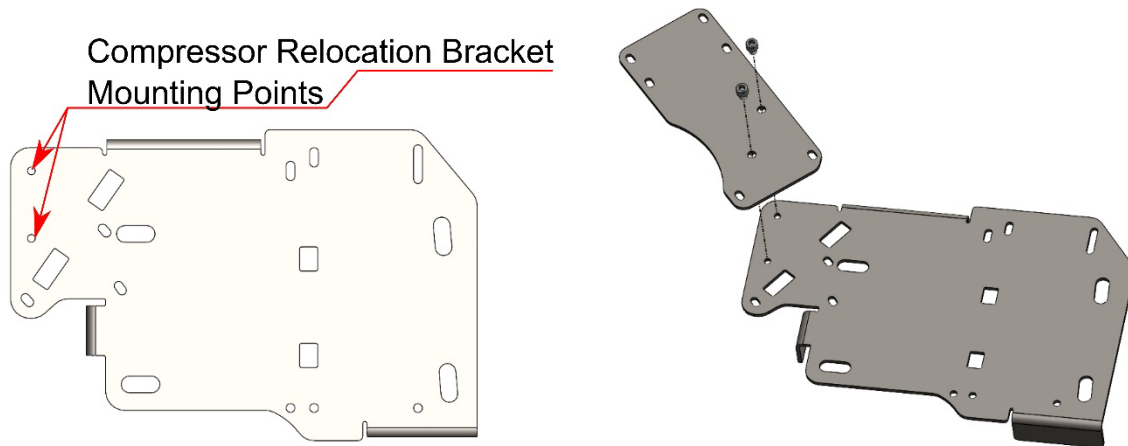


Figure 20- Bracket Assembly, 2015 to 2020 SUV's

7.3.2 Tank Installation

Use hardware H1, H2, H3 & H4 to install the tank onto the battery tray bracket as shown below. Fully tighten the hardware.

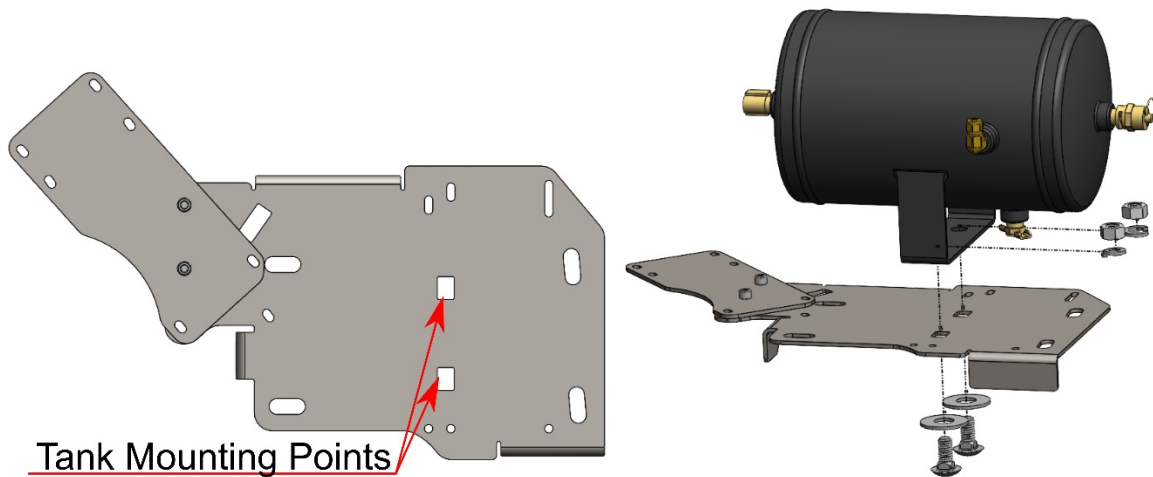


Figure 21- Tank Installation, 15 to 20 SUV's

7.3.3 Compressor Installation

1. Use the hardware included in the compressor package to install the compressor onto the battery tray bracket as shown below in **RED**. Fully tighten the hardware.
2. If fitment issues are present during installation onto the vehicle, the **BLUE** alternate mounting may be explored. If using this mounting option, one (1) set of the compressor mounting hardware will not be used.

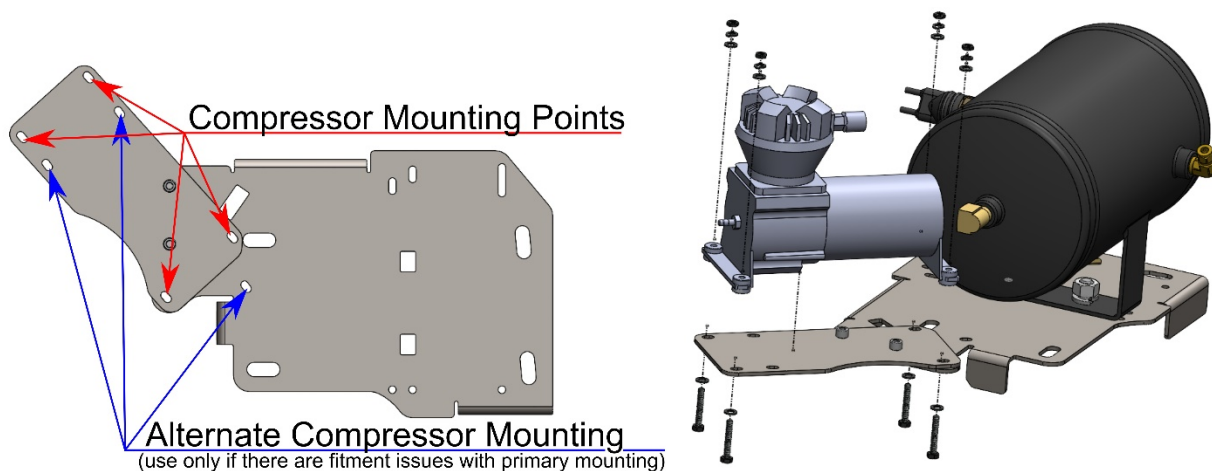


Figure 22- Compressor Installation, 15 to 20 SUV's

3. Connect the leader hose from the compressor to the female fitting on the tank as shown below. You may use alternate routing / hookup as needed.



Figure 23- Compressor Hose Routing (Recommended)



7.4 Air Tubing Installation

1. Install the Air tubing included with your kit onto Item No. 7 (90° Compression Fitting). A heat gun (or equivalent) may be used to soften the end of the tubing to facilitate the installation over the barb of the fitting.
2. Install the air tubing included with your compressor onto the barbed fitting on the compressor intake.
3. Tape/cover the exposed ends of the air tubing to prevent debris from entering during kit installation / routing.

END OF SECTION



8 Bench Assembly – Air Horns

Complete the following steps off vehicle using the following instructions.

- Install the Air Horns onto the horn bracket as shown in this section. Fully secure the parts to the bracket.
- Plumb the horns together as desired, using the included air tubing & the appropriate fitting.

!!! Use the configuration that is specific to your vehicle !!!

[2015 – 2020 SUV's](#)

[All Other Vehicles](#)

8.1 Air Horns – 2015 to 2020 SUV's

Use the hardware included with your air horns **ALONG** with hardware H5 & H6 to install the air horns to the horn bracket. Use the below figures for assembly & hardware stacking order.



Figure 24- Horn Installation, 2015 to 2020 SUV's

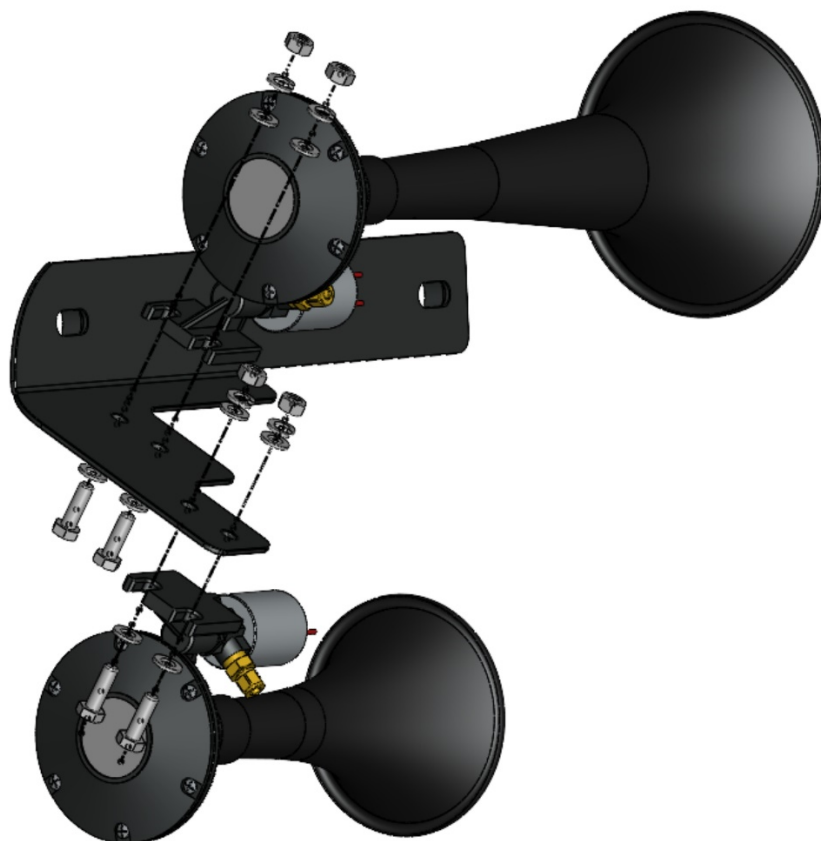


Figure 25- Horn Installation, Hardware/Exploded View

Route & trim the included air tubing as desired & connect both compression fittings on the horns using Item No. 9 (Compression "T" Fitting) as the interconnect between the horns.

**This Install Guide Replaces the
GMTRK-1 Installation Manual**

8.2 Air Horns – All Other Vehicles

Use the hardware included with your air horns **ALONG** with hardware H5 & H6 to install the air horns to the horn bracket. Use the below figures for assembly & hardware stacking order.

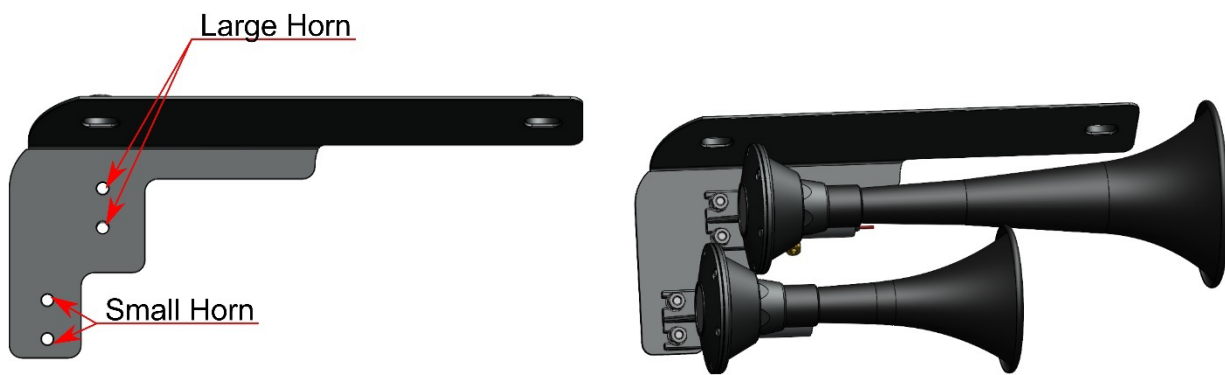


Figure 26- Horn Installation, All Other Vehicles

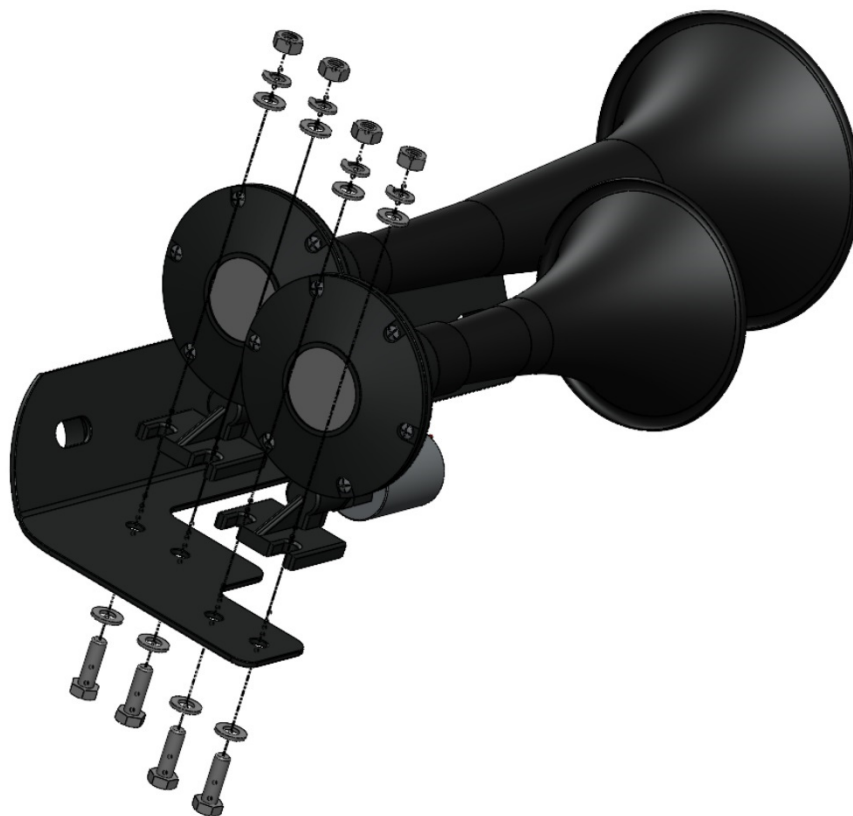


Figure 27- Horn Installation, Hardware/Exploded View

Route & trim the included air tubing as desired & connect both compression fittings on the horns using Item No. 9 (Compression “T” Fitting) as the interconnect between the horns.

END OF SECTION

This Install Guide Replaces the
GMTRK-1 Installation Manual

REV: B (09/07/2022)

9 On-Vehicle Installation

Complete the following steps on the vehicle:

- Install tank & compressor onto the auxiliary battery tray
- Install Horns onto the vehicle
- Complete the wiring

9.1 Tank/Compressor Installation

1. Place the tank/compressor assembly onto the auxiliary battery tray and identify three (3) bolt holes that provide the best accessibility. Reference the below figures. Note the bolts chosen and remove the tank/compressor assembly from the auxiliary battery tray.

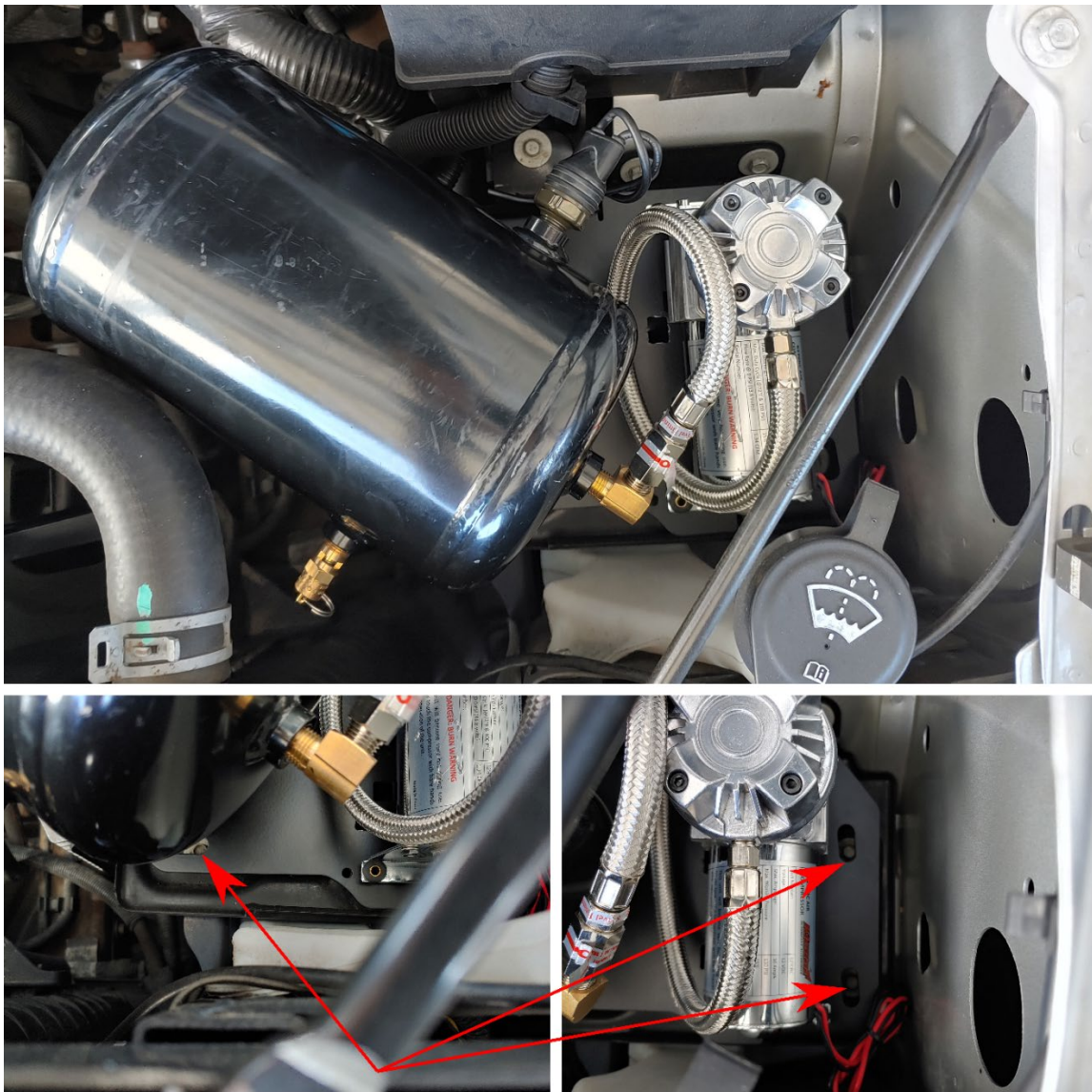


Figure 28- Accessible Hole Locations

- Remove the noted bolts from the aux. battery tray. The below figure illustrates some options regarding bolt accessibility from the various configurations of this kit. Use any pattern that works for your situation.

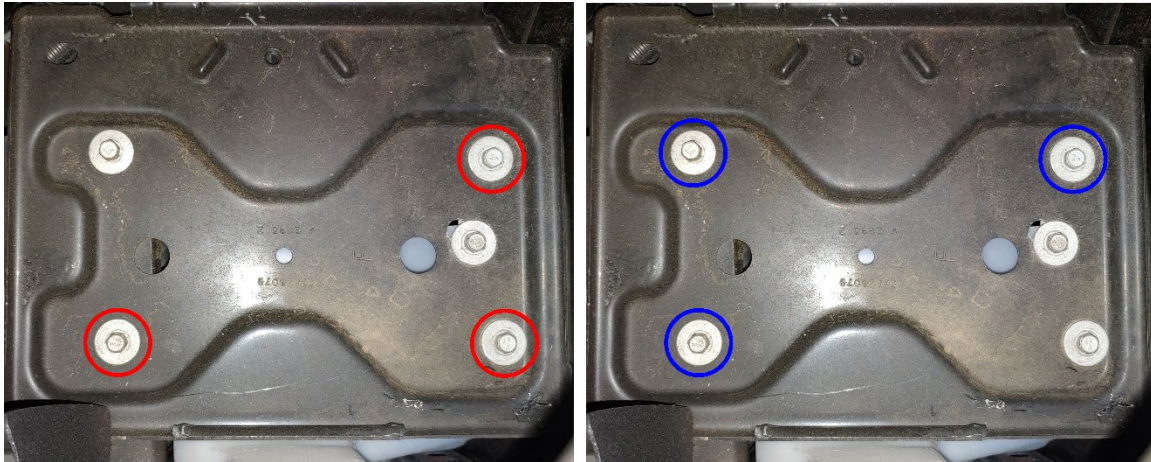


Figure 29- Mounting Options, Tank/Compressor Assembly

- Install the Tank/Compressor Assembly onto the aux. battery tray using hardware H7 & H8 to replace the bolts removed from the previous step, as shown in the below figure. Fully tighten the hardware and torque to OEM specifications.

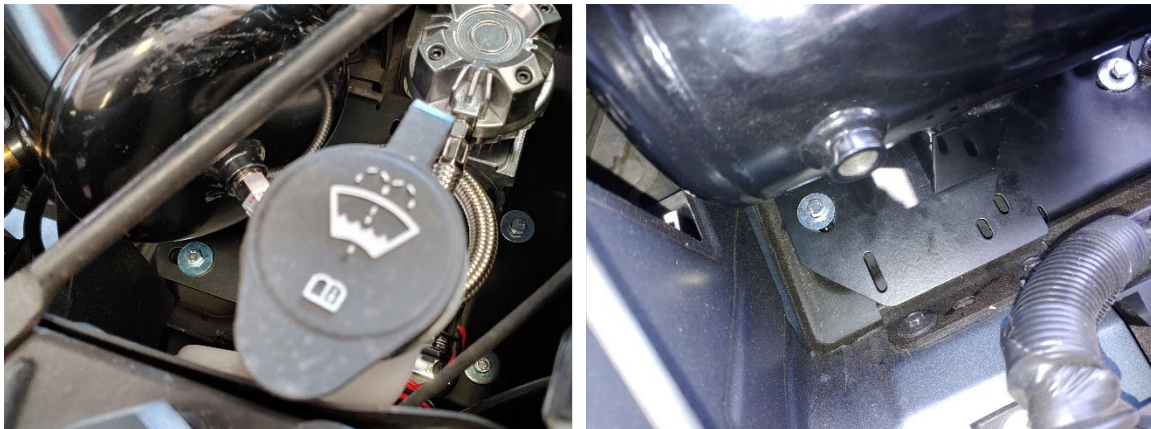


Figure 30- Tank/Compressor Assembly Installed, Red Configuration (Left) & Blue Configuration (Right)

- At this time, install Item No. 6 (Pressure Switch) if it was not installed previously. Be sure to follow guidelines for installation of NPT fittings in Section 6.
- Attach & route the compressor air inlet hose/filter to any suitable location. It is recommended to place the air filter in an area that receives clean, dry air.

9.2 Horn Bracket Installation

The horn bracket attaches to the underside of the vehicle, behind the front bumper with the horns directed to the passenger side as shown in the below figure.



Figure 31- Horn Bracket Installed Location, Behind Front Bumper

1. Remove the front two (2) OEM engine shield bolts. The horn bracket will attach to these two points with the circular standoffs contacting the engine shield. The below figure illustrates this step.

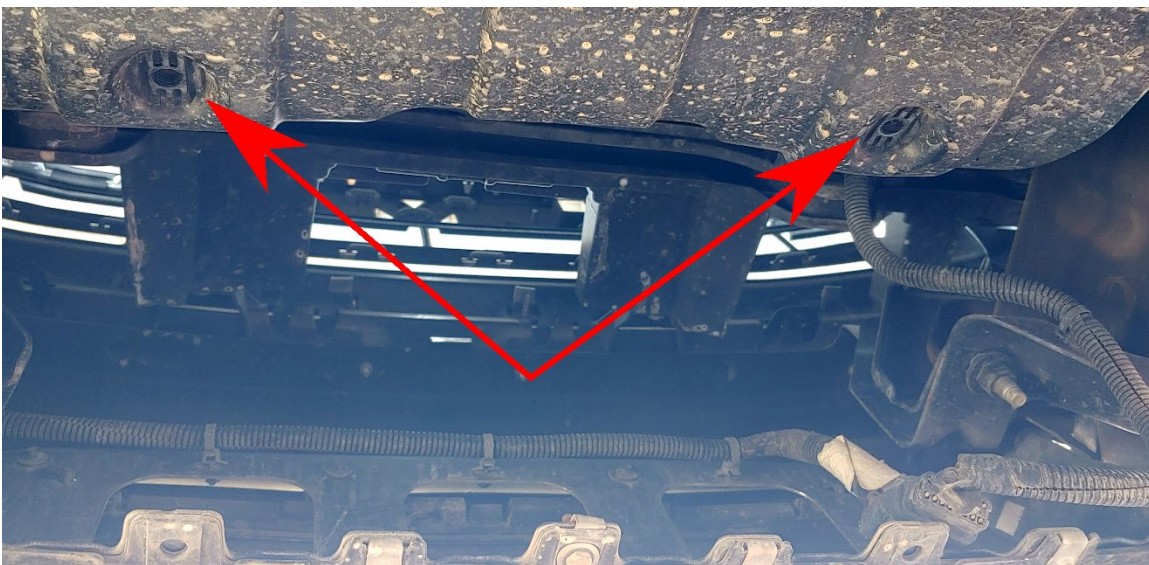


Figure 32- Engine Shield Bolt Removal

2. Install the horn bracket onto the shield using hardware H9 & H10 in the location where the bolts were removed in the previous step. The trumpets should be directed towards the passenger side of the vehicle.

The trumpets may be removed from the horn bases by gripping the chrome collar and twisting counterclockwise. This may facilitate the installation of the horn bracket by giving better access to the hardware.



Figure 33- Horn Bracket Installed, Upper Trumpet Removed (Shown)

3. Fully tighten the hardware and reattach the trumpets to the horn bases (if removed).

9.3 Final Connections

Use the below instructions to complete the pneumatic & electrical hookups for this kit.

9.3.1 General Connections & Plumbing

1. Route & plumb the tank air tubing into the air horn "T" fitting. A heat gun may facilitate installation of the tubing onto the compression fitting barb.
2. Using the supplied self-tapping screw (or by another method), hard mount the relay to any suitable location which allows the appropriate wiring connections to be made.
3. Route and wire the system using the below figure. When connecting the horn solenoid wires, connect one wire from each solenoid together & then connect them to the purple wire. Connect the remaining wire from each solenoid to a grounding point.

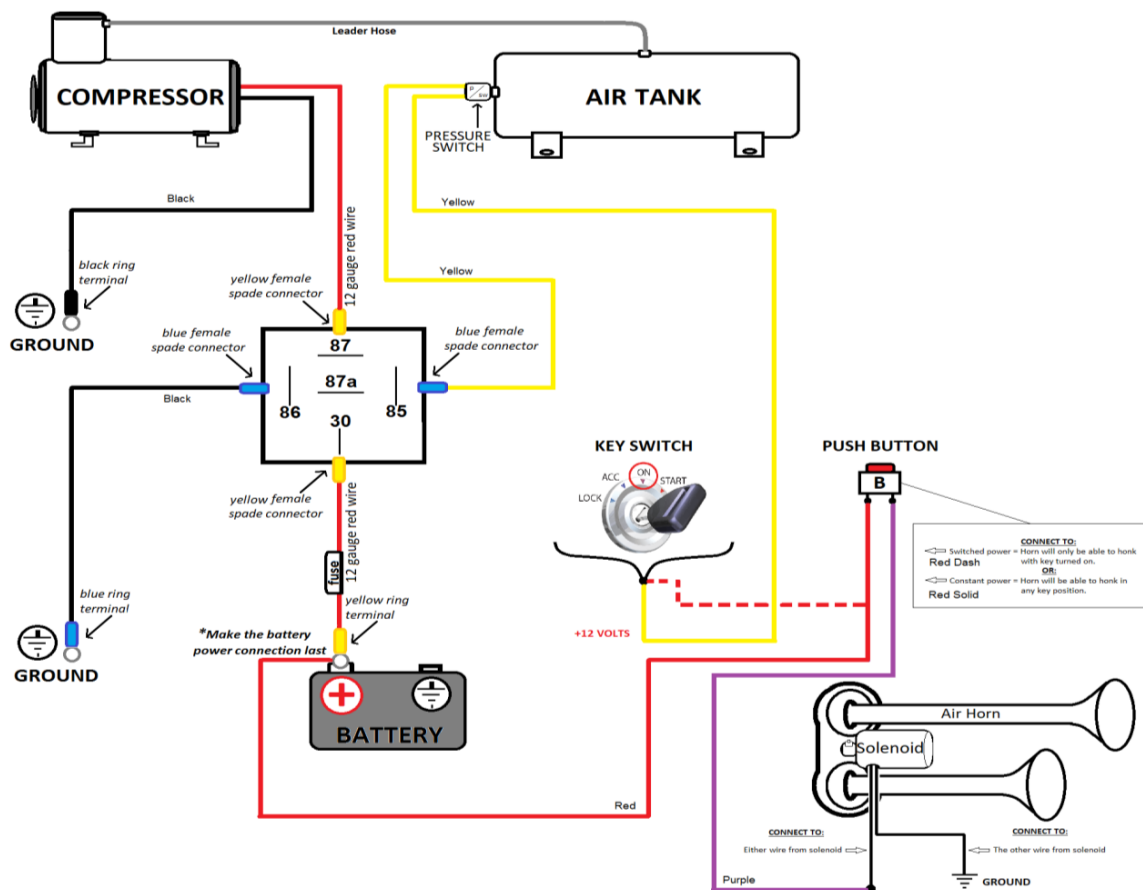


Figure 34- Wiring Diagram

9.3.2 System Pre-Test

Check all electrical connections & routing. Secure the wire loom, relay, & air tubing to the vehicle as needed & install the fuse into the fuse holder on the main power wire.

END OF SECTION

This Install Guide Replaces the
GMTRK-1 Installation Manual

REV: B (09/07/2022)

10 Testing

10.1 Test Air Compressor

1. Turn the vehicle on and allow the compressor to fill the air tank. Initial fill may take up to 3 minutes. The air compressor should shut off automatically once full pressure is achieved.
2. If the compressor runs excessively, (i.e., 5 minutes or more) disconnect electrical power to the air compressor and listen for air leaks.
3. Inspect ALL air connections (i.e., air tank fittings, compression fittings, air horn fittings, etc.) for leaks by using a soap and water solution sprayed directly onto the fittings. The system must be pressurized, or the air compressor must be running.
4. If an air leak is found:
5. Safely release air pressure from system (i.e., slowly open drain valve).
6. Disassemble leaky connection, re-seal and reinstall fittings/tubing as needed.

10.2 Test Train Horns

1. Allow the air compressor to run and shut-off automatically (i.e., air tank is full)
2. Ensure all nearby persons have adequate hearing protection and provide courtesy warning to neighbors or others in vicinity.

WARNING: NEVER operate train horns with ears close to trumpets or in an enclosed space without [substantial hearing protection](#) for all persons closer than 50 feet from vehicle. Never operate train horns outdoors when persons are near vehicle without adequate hearing protection.

3. Briefly activate the horns by pressing the horn button.
4. Horn sound/loudness will diminish as the pressure in the air tank decreases.
5. Allow the air compressor to refill the tank, if needed.

END OF SECTION



11 General Operation

11.1 Compressor Operation

WARNING: NEVER operate the air compressor above its MAXIMUM PRESSURE RATING (see label on body). Operation exceeding maximum pressure will damage the compressor and potentially cause air system failure.

1. Kleinn's oil-less compressor is equipped with an automatic thermal overload protection circuit designed to protect the air compressor from overheating and causing permanent damage.
2. Automatic thermal overload protector will reset after 30 minutes.
3. To prevent discharge of the vehicle's battery, and for best performance, keep the vehicle's engine running while using the air compressor for any prolonged use.

11.2 Horn Operation

1. Allow the air compressor to run until it shuts off automatically, (i.e., air tank is full) or for at least one minute between horn activations.
2. Press the horn button to activate the horns
3. Horn sound/loudness will diminish as the pressure in the air tank decreases.

WARNING: NEVER operate train horns with ears near trumpets or in an enclosed space without [hearing protection](#) for all persons closer than 100 feet from vehicle. Never operate train horns outdoors when persons are near vehicle without hearing protection.

END OF SECTION



12 Routine Maintenance

Perform following maintenance at least once during recommended intervals:

1. Yearly, or every 12,000 miles, verify all mounting fasteners are properly torqued. Applying witness marks across fasteners and mounting parts is good practice to quickly ensure fasteners have not moved.
2. Yearly, or every 12,000 miles, **inspect OE wiring, tubing, cables, etc.** where kit parts may touch to **verify no abrasion or rubbing.**
3. Yearly, or every 12,000 miles, remove all road grime and mud from the mounting brackets and kit parts using clean water from a garden hose. Pay special attention to corners where dirt may collect. Touch up all paint chips using automotive grade enamel in either spray or brush form.

NOTE: Do this more frequently if traveling regularly off-road, or in winter climates with road salts. High-pressure washers may damage part finishes and must be used with care.

4. Yearly, or every 12,000 miles, check electrical connections, wires, and air fittings for abrasion, corrosion, or other damage. Replace damaged components.

NOTE: if system runs continuously or turns on unexpectedly, leaks or a poor electrical connection may be present.

5. Monthly, or every 10 hours of compressor run time, drain moisture from the air tank using the drain valve installed at the bottom of the tank.

WARNING: Failure to regularly drain the air tank may result in corrosion inside the tank and possible failure in the tank or air tubing, causing injury.

6. Yearly, or every 12,000 miles, clean or replace the air compressor air filter element. Replacement frequency depends on operating frequency and conditions of environment (i.e., daily use requires more frequent changes). Order replacement filters at Kleinn.com.

NOTE: NEVER lubricate or add liquids to the compressor.

END OF SECTION



13 Warranty Information

Thank you for purchasing our Air Horn Kit. Shall you experience any unexpected problems during installation or have problems with any part at any time please contact Kleinn support.

KLEINN MANUFACTURER LIMITED DEFECT WARRANTY:

Kleinn Automotive Air Horns warrants this product to the end-user, when properly installed and under normal conditions of use, to be free from defects in workmanship and materials for a period of one year from the provided date of purchase, to the original purchaser of the product. This warranty does not cover abuse, operation in a manner inconsistent with the product's design, or damage resulting from exposure to the elements. If the defect is considered "under warranty", Kleinn will, at its option, repair or replace the product free of charge to the original purchaser. Kleinn is not liable for any installation charges, loss or damage of any kind incurred in the replacement or repair of any warranted product.

END OF MANUAL

© Kleinn Air Horns 2021, All rights reserved.

PO Box 91278 Tucson, AZ 85752

Phone: (520) 579-1531

Web: <https://www.kleinn.com>